

CMT07 Technical Instruction



Important Notice

• Please read this manual and the attached installation manual carefully. If you are not clear about any part of the information in this manual, please do not install it. Please consult the sales office.

- For product information not described in this manual, please contact your dealer.
- Do not disassemble or modify the product except the information described in this manual.
- Distributors must abide by the relevant laws and regulations of their country and region.

Please follow the instructions given in the manual to install this product and use it correctly.

- Loose, damaged or improperly adjusted bolts and nuts may cause sudden falls and serious injuries.
- Be sure to let users know the following:
- Before riding, please check whether the wheels are fixed. When riding, don't concentrate on the instrument and get distracted and fall.
- Please be fully familiar with how to start the electric bicycle before riding it.

Otherwise, the electric bicycle may be started accidentally and cause an accident. Be sure to turn on the headlights when riding at night.

- Please unplug the battery before wiring or installing parts of the electric bicycle to prevent possible electric shock.
- Please use this product according to the instructions. Do not let people and children with no operating experience, physical, sensory or mental illness use this product, and do not let children play near this product.

Please consult the dealer for information on installing and adjusting the software update (do not modify the software system without permission, which will easily lead to system failure). In case of any malfunction or problem, please consult the nearest dealer.

- This product is waterproof and can be driven in rainy days, but please do not soak it in water and clean it with a high-pressure water gun. The immersion of water will lead to failure or rust.

Please use the product carefully and do not exert strong impact.

- If you have any questions about the maintenance and use of the product, please consult the dealer at the place of purchase.
- Natural wear and aging will occur when the product is used normally.

1. Intermediate drive unit.



- ★ It can meet the requirements of bicycle installation and is convenient to install;
- ★ The center drive unit has a highly modular design, which is convenient for motor maintenance;
- ★ The center drive unit has dual clutches;
- ★ The center drive unit is controlled by torque and has a built-in controller.
- ★ High efficiency, low power consumption and long cruising range.

1. 1 Material and waterproof grade.

Enclosure materials and surface treatment.

Aluminum shell: the surface of die-cast aluminum is electrophoretic coated with matt black;

Protection grade: IP65; ;

Service environment: temperature:-20°C ~ 45°C

Atmospheric pressure: altitude $\leq 1000\text{m}$

Relative humidity: $\leq 90\%$ at 25°C.

1.2.1 Main technical parameters.

Type: CMT07
Rated Voltage: 36V
Rated Power: 250W
Rated Current: 9A
Limit Current: 17A
Max Torque: 85NM
Max Rpm: 85 rpm
Max Speed: 25km/h
Max Efficiency: 80%

Type: CMT07S
Rated Voltage: 36V
Rated Power: 250W
Rated Current: 9A
Limit Current: 17A
Max Torque: 85NM
Max Rpm: 100 rpm
Max Speed: 40km/h
Max Efficiency: 80%

2. 1 Appearance

2.1.1 Instrument name

Center intelligent liquid crystal instrument, model DM01B.

Description of LCD display and key function.

Full LCD image:



Keys:



2.1.2 Parameter setting

See product specification of DM01B.

2.2 Speed measuring sensor

2.2.1 Product model

Model: SPL-10.

2.2.2 Exterior

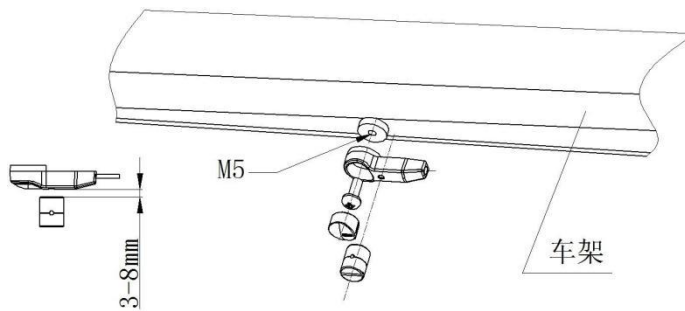


(M5 cross slot pan head screw)



(speed sensor) (shield) (induction magnetic steel)

2.2.3 Product installation drawing.



2.2.4 Specific specifications

parameter	numerical value
rated voltage	DC5V
rated current	5mA
Pulse/turn	one
Installation distance	3-10mm
Working temperature	-30~70°C
Waterproof grade	IPX7

2.3 Chain wheel

2.3.1 Appearance of dental tray: (pictured)



2.3.2 Tooth plate type: 38T unilateral chain cover.

2.3.3 Basic parameters of dental tray.

Number of
teeth: 38
teeth Color:
black.

2.4 Crank

2.4.1 Appearance of crank: (pictured)



2.4.2 Basic parameters of crank:

Length:

170mm

Material:

6061 Color:

Black.

* Note: The screw thread directions of the left and right cranks are different, with "L" mark on the left crank and "R" mark on the right crank.

2.5 Other Accessories



Bracket



Hexagon socket head bolts

M6*63



Hexagon socket head screws

M6*18



Decorative cover



Hexagon socket head screws M4X8
(for cover)
(Locking torque: <math>< 1\text{Nm}</math>)



Terminal box



Cylinder head pattern screw M4x6
(Terminal box)
(Locking torque: 2.5-3Nm)



Chainwheel lock nut
(Locking torque: 20-24Nm)



Crank Screw
(Locking torque: 30-35Nm)



External speed sensor cable

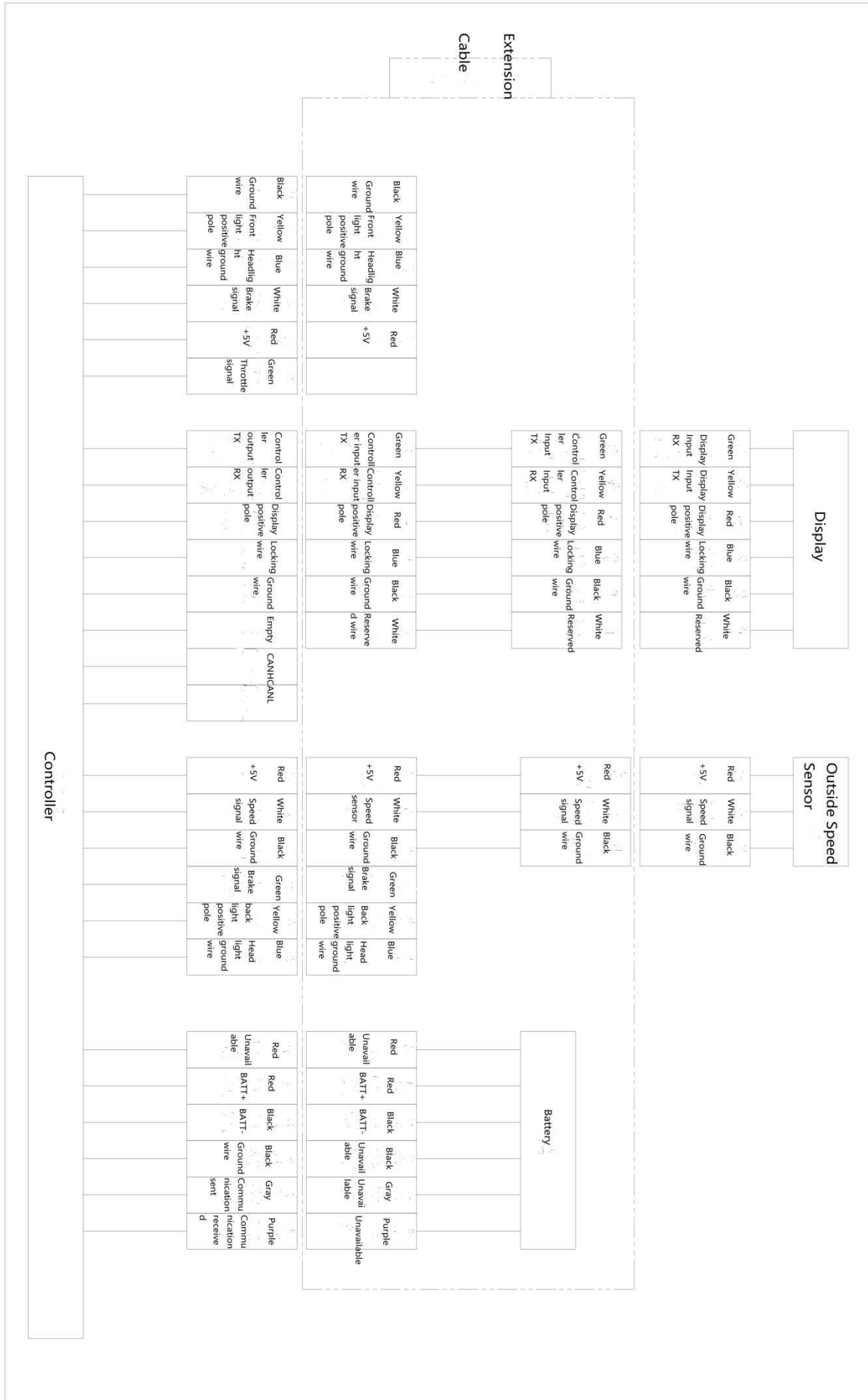


Display cable

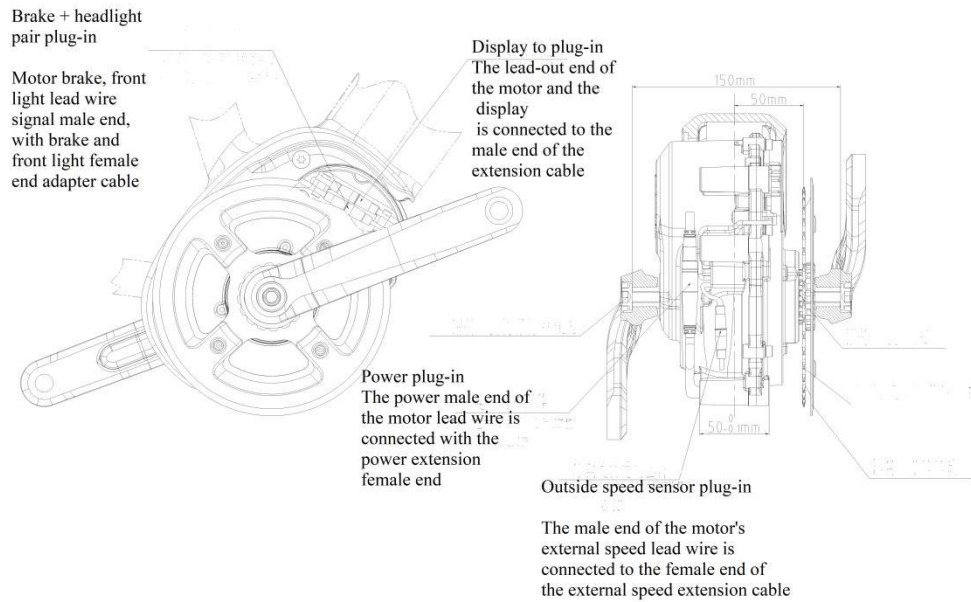


Power cable

3. 1. 1 System schematic diagram.



3. 1. 2 System instruction



4. Matters needing attention and fault analysis.

4. 1 matters need attention

It should be parked in a ventilated and dry warehouse, and should not be parked in damp, acid and alkali places, nor should it coexist with magnetic articles;

Each connector is inserted in place according to the corresponding pair of arrows; The instrument avoids sharp objects from hitting; It is suggested that products should not be overloaded for a long time. Products should be protected from wading and flooding.

4. 2 Routine fault analysis.

serial number	Malfunction phenomenon	Possible causes of failure.	debugging
one	The motor cannot be mounted on the frame.	Welding deformation of frame connecting plate.	Reduce welding deformation of frame.
2	Meter has no display.	Plug-in is not connected properly.	Check all plug-ins and connect them.
		Use non-standard instruments.	Use the standard instrument of our factory.
		The battery runs out.	Charge as required.
three	Meter kilometers are not displayed.	The external speed sensing plug-in is not connected properly.	Check the plug-in and connect.
		Magnetic steel is not installed in place.	Check the position of magnetic steel and install it.
four	The meter kilometer display is abnormal.	Unreasonable position distance of magnetic steel.	Adjust the magnetic steel position distance.
		There is strong environmental interference.	Change environment.
five	The front/rear lights are not on.	Lamp control module is not installed.	Install the light control module.
		Plug-in is not connected properly.	Check all plug-ins and connect them.
		The rated voltage of front/rear lamps does not match.	Replace the front/rear lamps with the correct voltage.
six	No response to brake failure.	Plug-in is not connected properly.	Check all plug-ins and connect them.
seven	The vehicle speed is less than 25km/h.	Unreasonable speed ratio of chain disc.	Adjust chain-disc speed ratio.
		The voltage of the motor and the battery do not match.	Choose a reasonable motor or battery.

4. 3 Other fault analysis and error codes.

See Fault Analysis.

5. Packing list

1. 1 central drive unit.
2. 1 instrument.
3. 1 set of speed sensor (including magnetic steel).
4. 1 set of dental tray assembly.
5. Left crank 1PCS.

6. Right crank 1PCS.
7. Tray nut M35 (inverted teeth) 1PCS.
8. Crank screw M8X20 (for installing crank) 2PCS.
9. Pattern socket head cap screw M4X8 (for installing decorative cover) 3PCS.
10. Pattern countersunk head socket M6X65 (used for connecting motor and frame connecting plate) 3PCS.
11. Hexagon socket countersunk head screw M6X18 (used to connect the motor with the frame connecting plate) 3PCS.
12. 1 external speed measuring sensor patch cord.
13. 1 headlamp patch cord.
14. 1 instrument patch cord.
15. 1 power adapter.